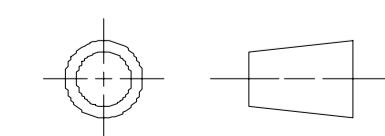
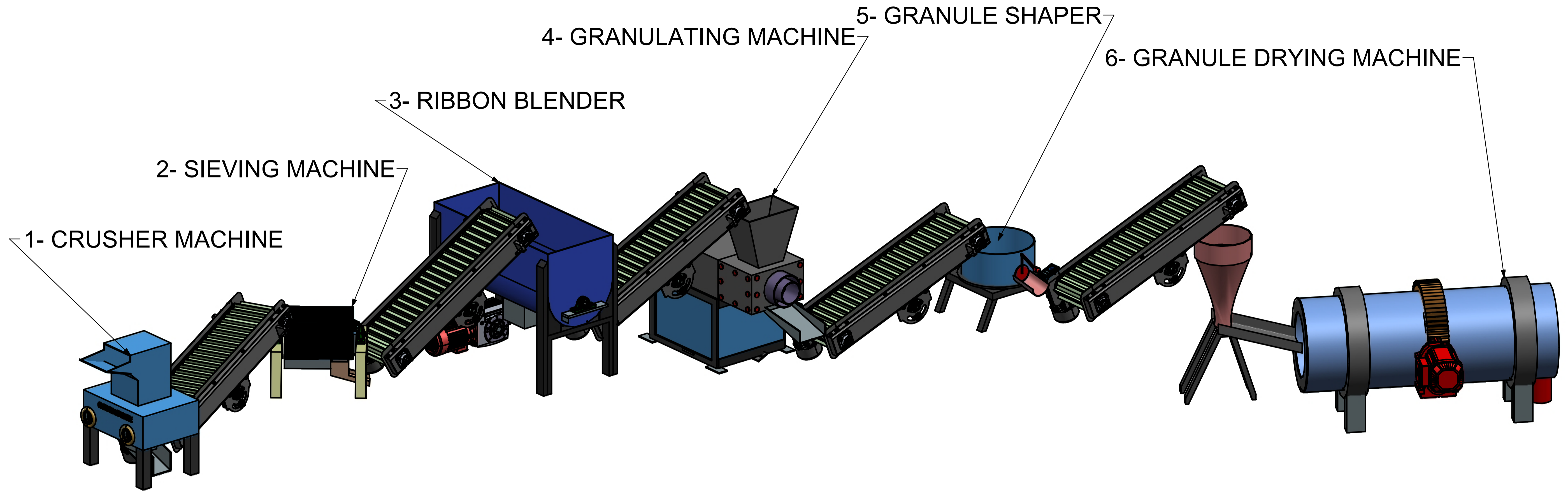


SATYAM ENGINEERING VAPI

FLOW CHART OF THE FERTILIZER GRANULES PLANT



ALL DIMENSIONS IN MM

SIEMENS		THIS DRAWING HAS BEEN PRODUCED USING AN EXAMPLE TEMPLATE PROVIDED BY SIEMENS PLM SOFTWARE	
FIRST ISSUED	18-03-2018	TITLE	
DRAWN BY	SADIK J KHAN	SIZE	
CHECKED BY	ARVIND TRIPATI	DRG NO.	
APPROVED BY	SATYAM ENGINEERING	SHEET REV	
		MAIN ASSEMBLY	
		SCALE 1:1	
		SHEET 1 OF 1	